

A

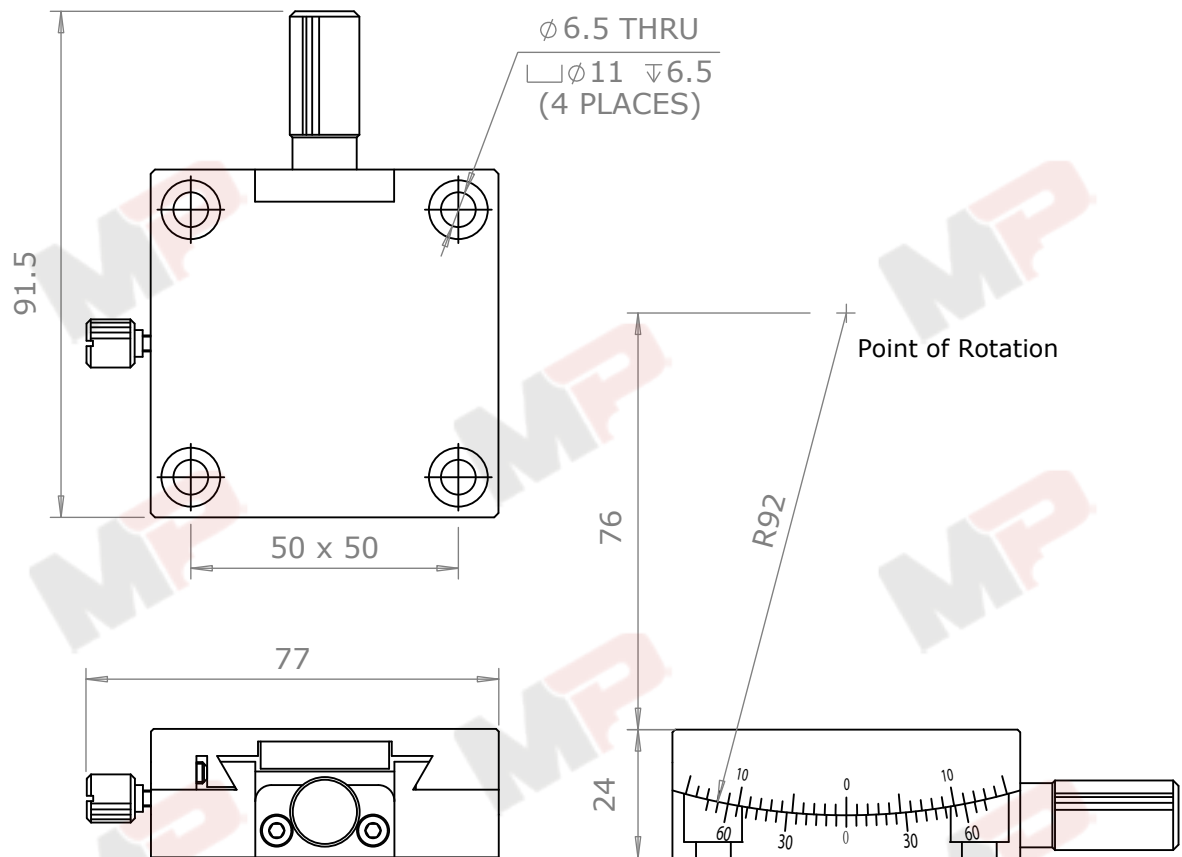
B

C

D

1

1



2

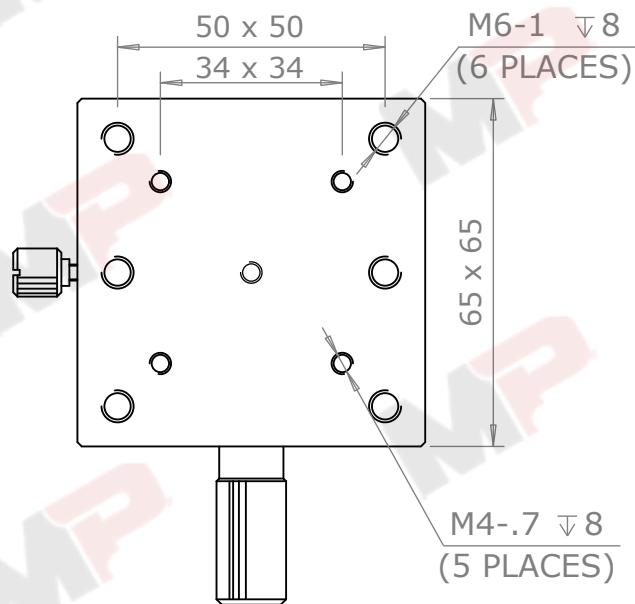
2

3

3

4

4



5

5

Manual Goniometer Stage

G65X-76-10A

Rotation Range: +/- 10 degrees

Travel Guide: Dovetail Slides

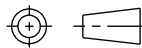
Drive Mechanism: Worm Gear

COPYRIGHT © MPOSITIONING CO., LIMITED

Manual Goniometer Stage

FOR INFORMATION ONLY
NOT FOR MANUFACTURING PURPOSES

Axes of Travel	R
Material	Aluminum Alloy
Platform	65 mm x 65 mm
Rotation	$\pm 10^\circ$
Max. Load	2.0 kg
Accuracy	5 arcmin

DRAWING
PROJECTION

	NAME	DATE
DRAWN	JS	8/27/2013
APPROVAL	GW	8/27/2013

Distance to Point of Rotation from Top Surface: 76 mm



COPYRIGHT © BY MPOSITIONING CO., LIMITED

MODEL NO.: G65X-76-10A

A4

UNLESS OTHERWISE SPECIFIED DIMENSIONS ARE IN MILLIMETERS

REVISION: 01

6